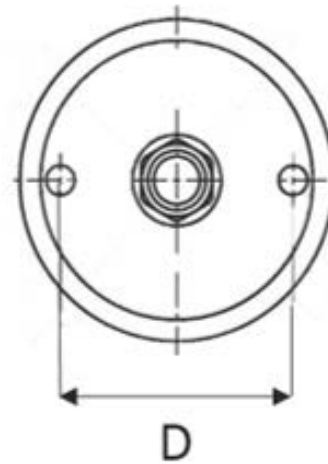
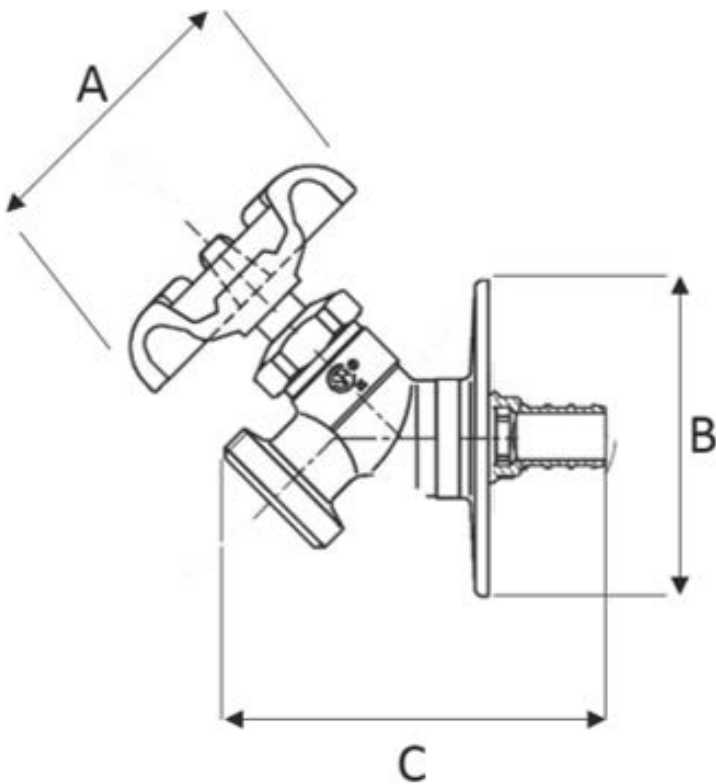


Technical Drawing

Part / Pièce #

1400250



A = 2.25"
B = 2.375
C = 2.9"
D = 1.75"