

# Technical Drawing

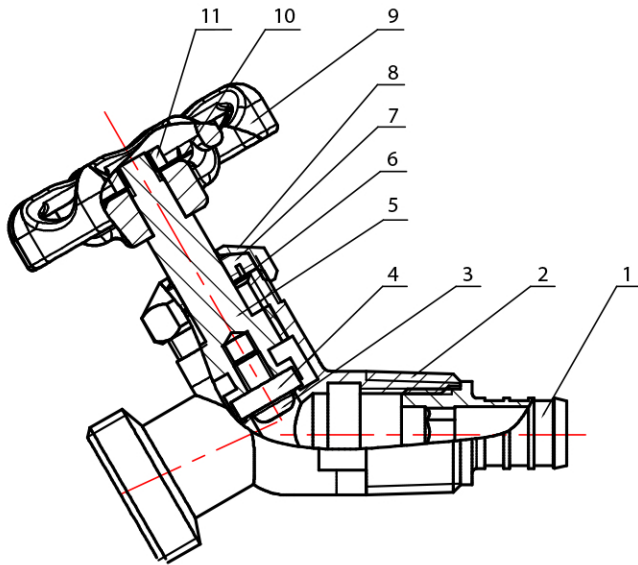
Part / Pièce #

# 1440144

## Specification

cUPC approved(ASME A112.18.1 CSA B125.1)

Comply with NSF61



## Material List

No.	Part Name	Material
1	Fitting	C37700
2	Body	C37700
3	Bolt	Brass
4	Washer	EPDM
5	Stem	C37700
6	Gasket	S201
7	Washer	EPDM
8	Nut	Brass
9	Handle	Al
10	Nameplate	Al
11	Lock Nut	S201